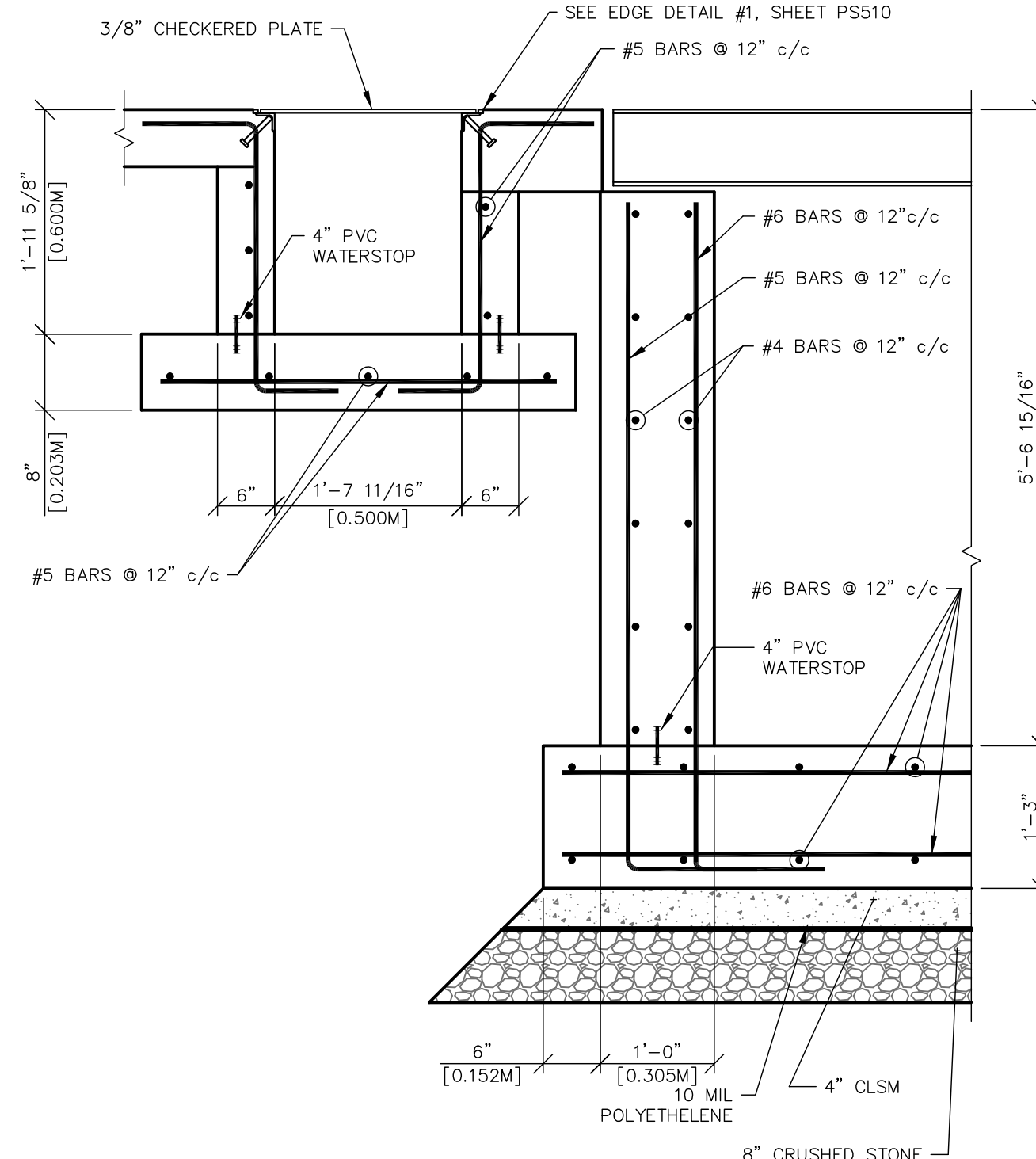
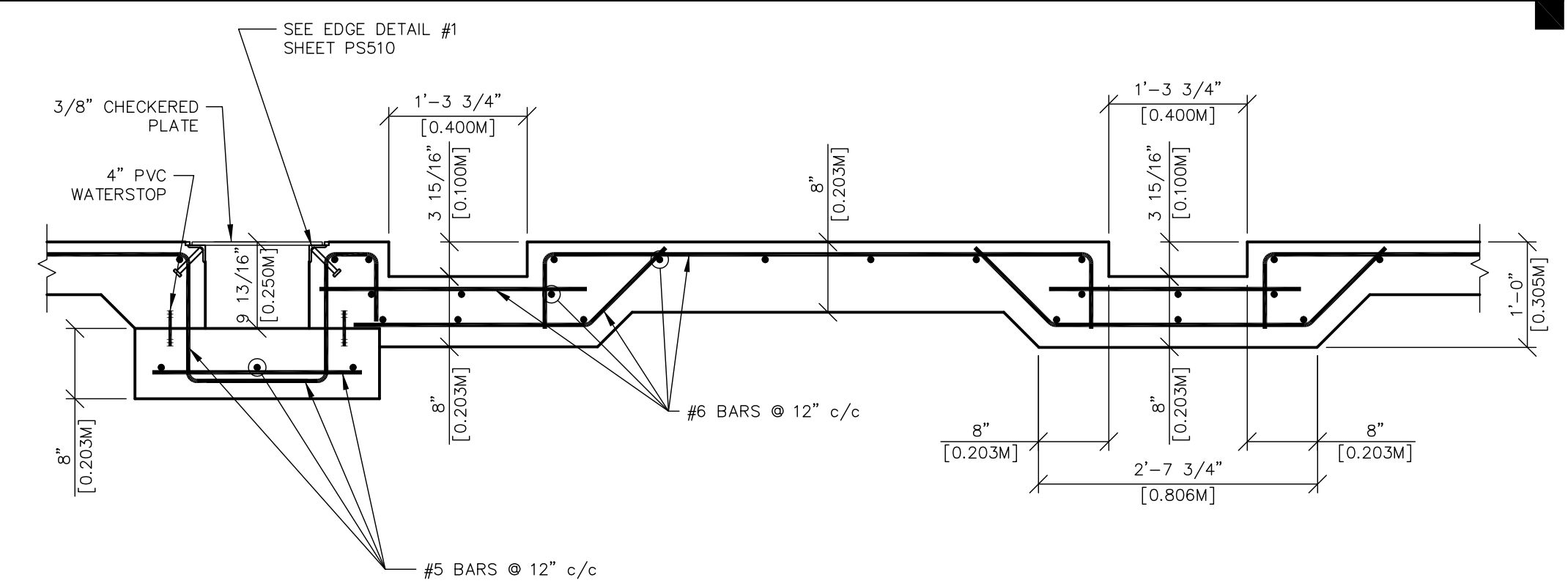


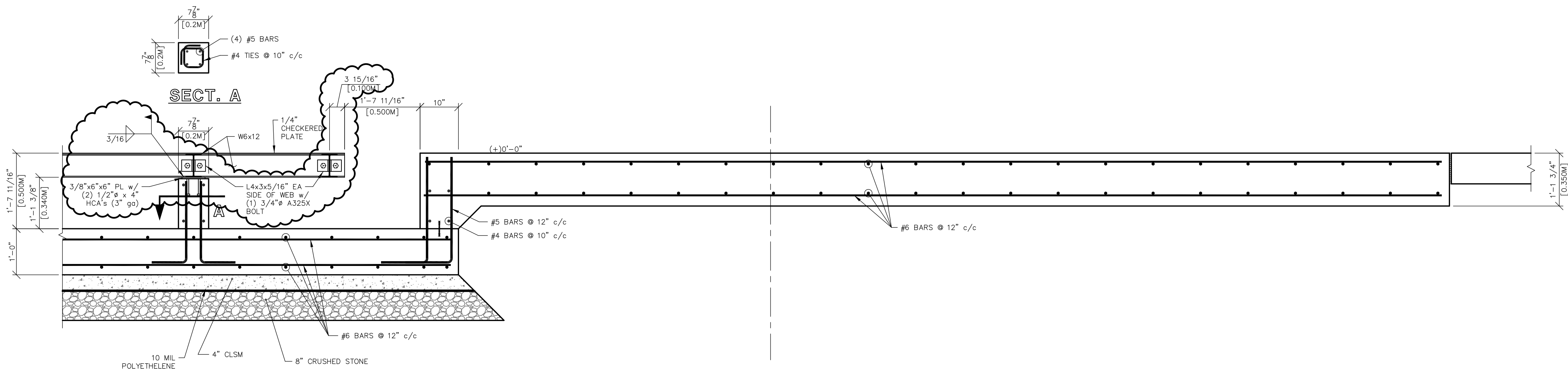
**1 SECTION**  
PS514 METALLIZER



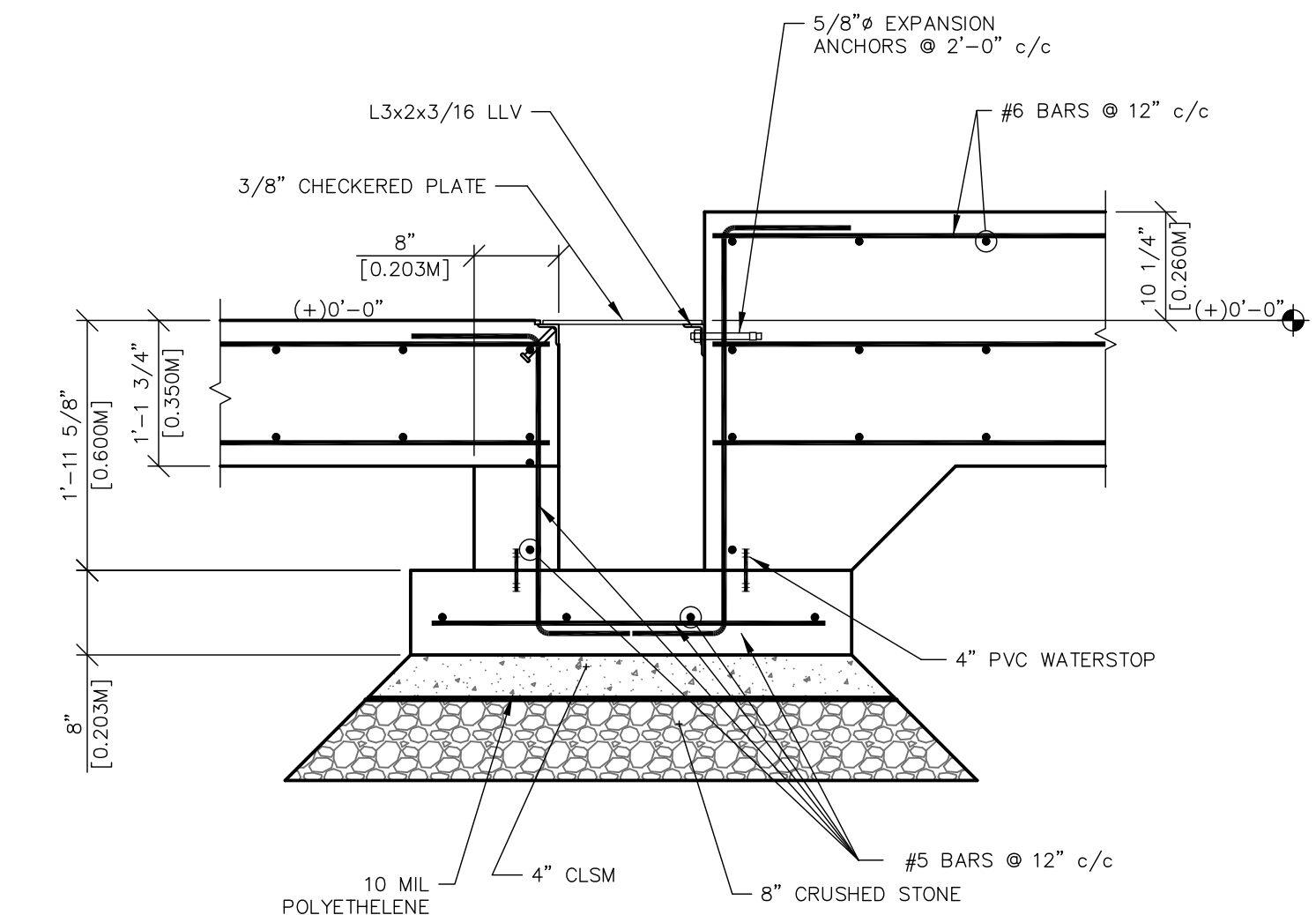
**2 SECTION**  
PS514 METALLIZER



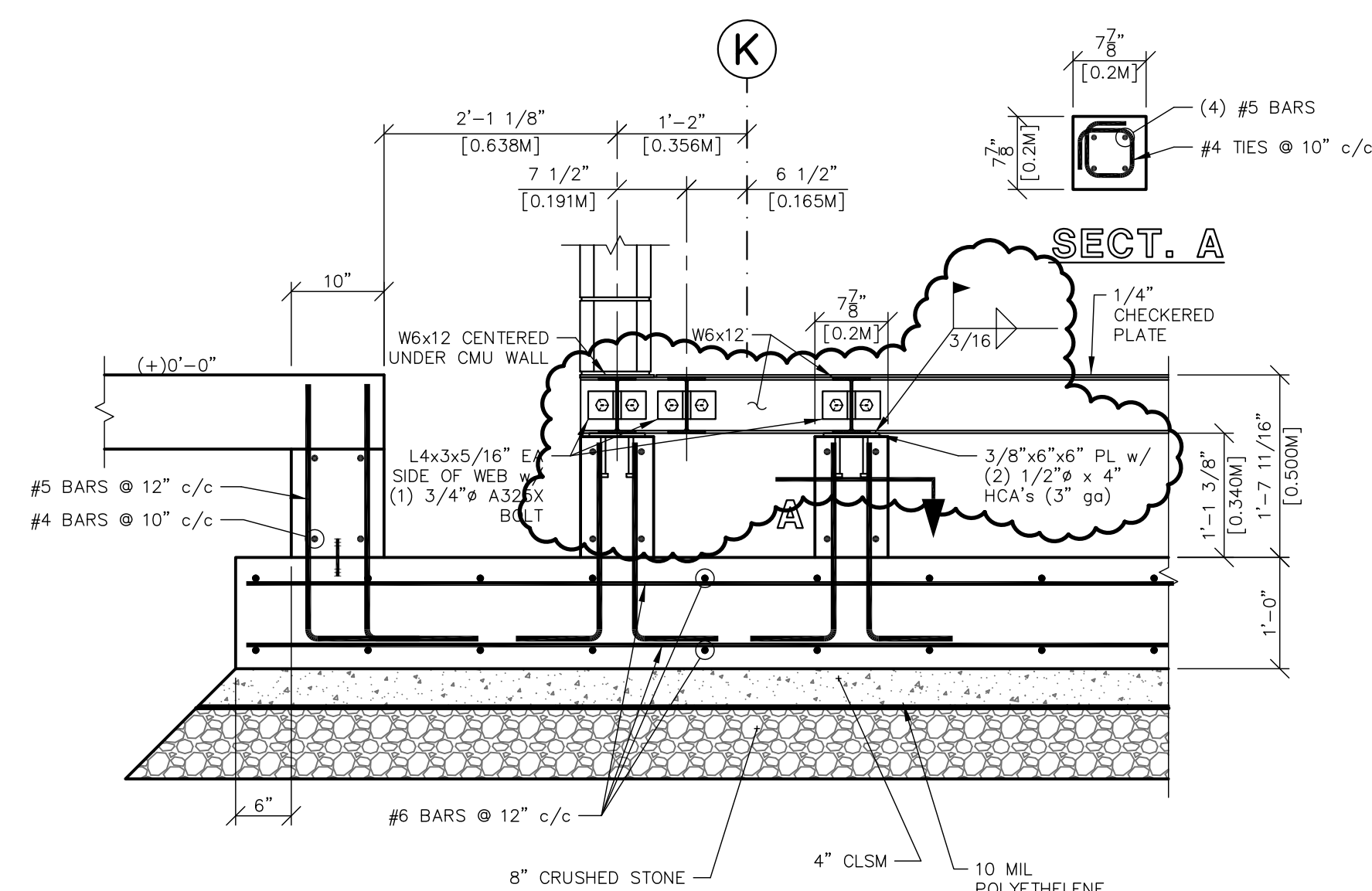
**3 SECTION**  
PS514 METALLIZER



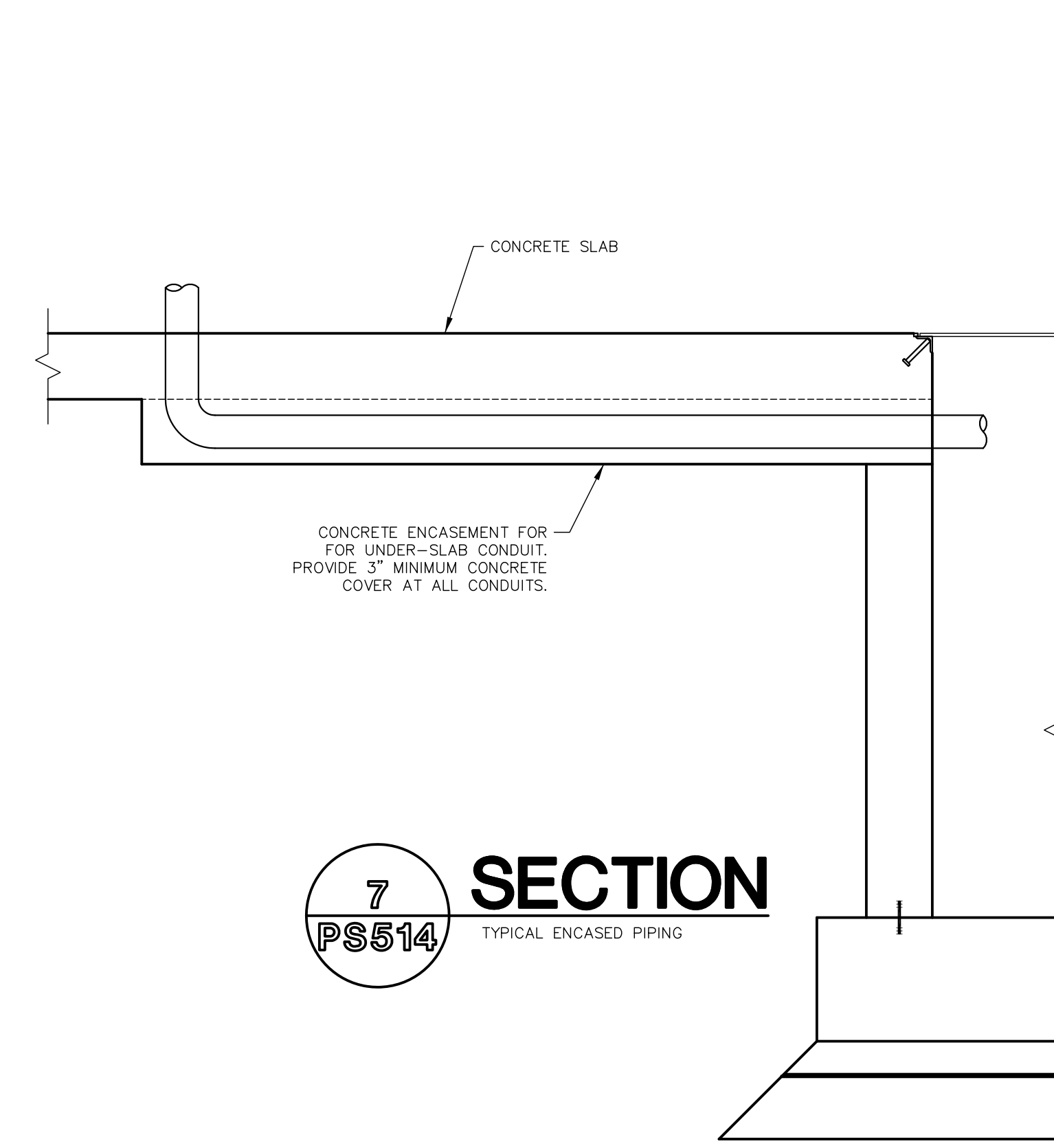
**4 SECTION**  
PS514 MDO FOUNDATION, MDO PIT



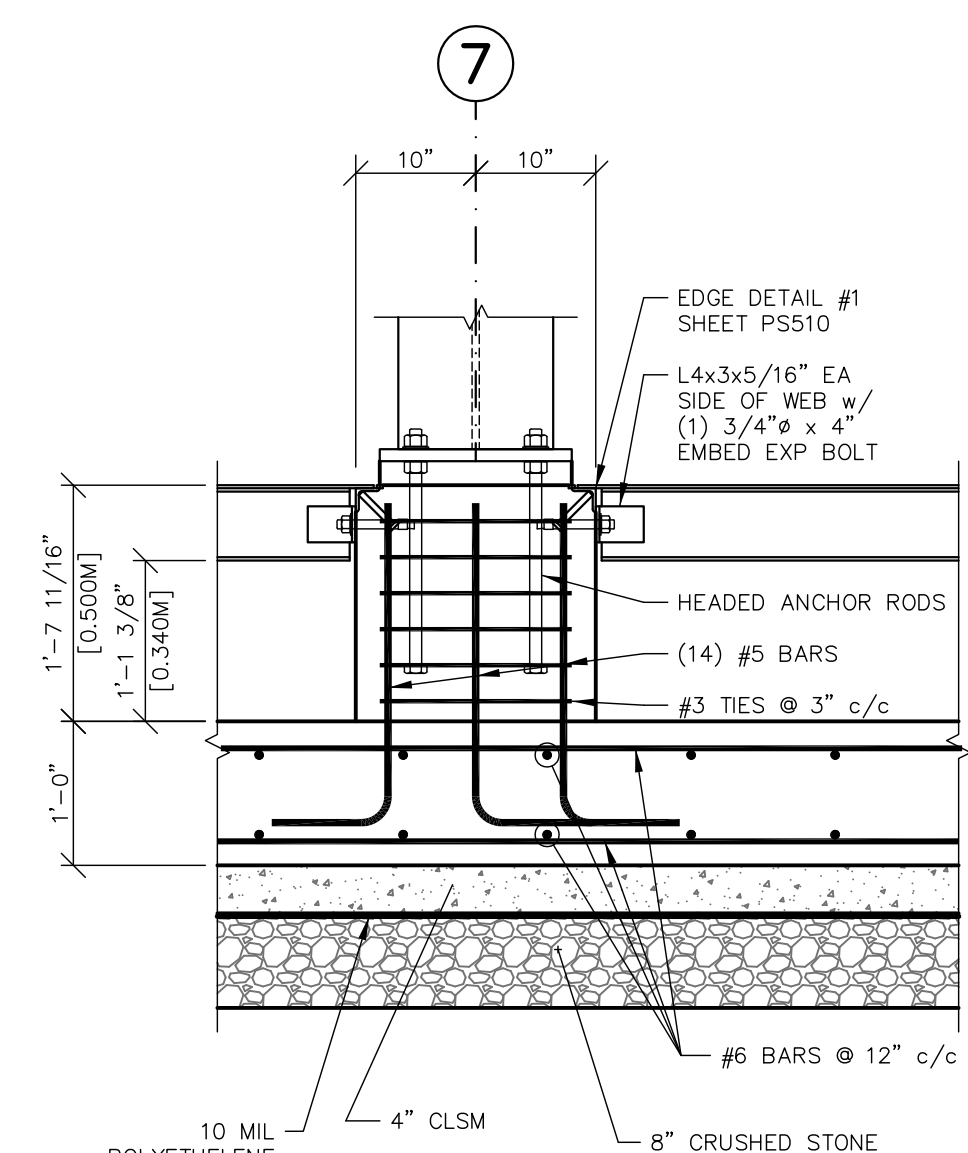
**5 SECTION**  
PS514 TDO



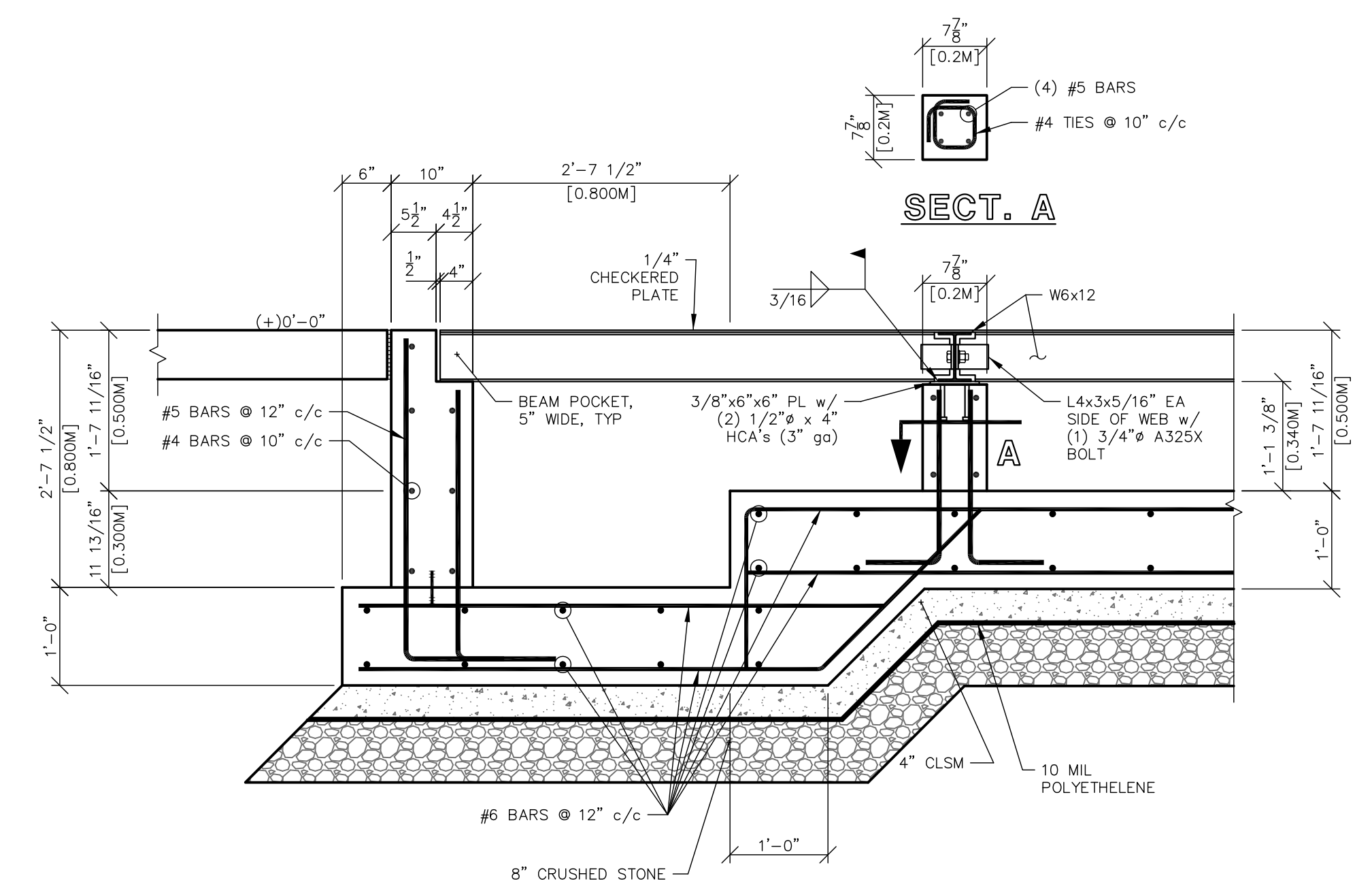
**6 SECTION**  
PS514 MDO



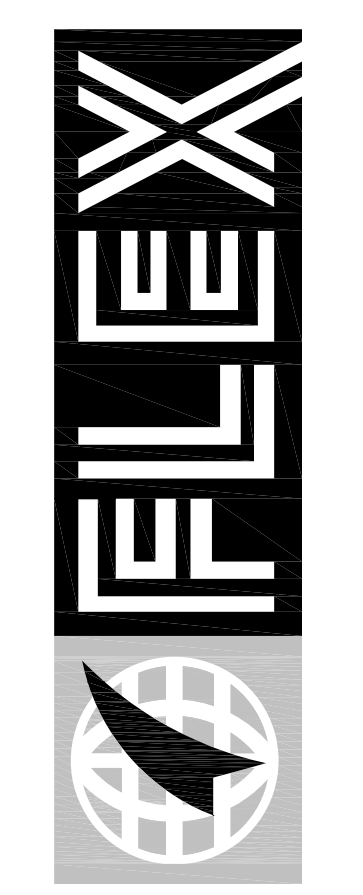
**7 SECTION**  
PS514 TYPICAL ENCASED PIPING



**8 SECTION**  
PS514 MDO



**9 SECTION**  
PS514 MDO



**FLEX FILMS (USA) INC.**  
1221 NORTH BLACK BRANCH ROAD  
ELIZABETHTOWN, KENTUCKY 42702  
PROJECT L-12 BOPET U.S.A.

DATE	REVISION NUMBER	REVISION
01-04-12	1	ISSUE FOR CONSTRUCTION
01-04-12	2	REVISION NUMBER TWO
01-04-12	3	REVISION NUMBER THREE

PROJECT NO. 8524-02	DESIGNED BY: EFH	CHECKED BY: EFH	REVIEWED BY: EFH
DRAWN BY: GPT	DATE: JULY 2011	SCALE: AS NOTED	AG NOTED

**MSE**  
OF KENTUCKY, INC.  
624 Wellington Way  
Lexington, KY 40523  
Phone: (859) 223-8694  
Fax: (859) 223-8697  
www.mseinc.com

**DRAWING NO.**  
UFL-L12  
PS-514

**EQUIPMENT FOUNDATION SECTIONS**